

**iQ parts**  
IQ-PARTS-SHOP.COM

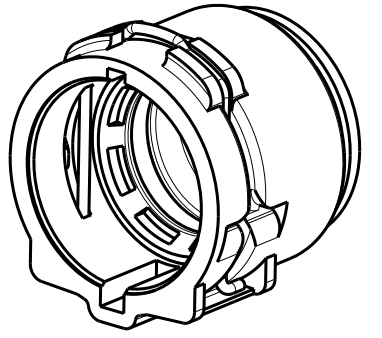
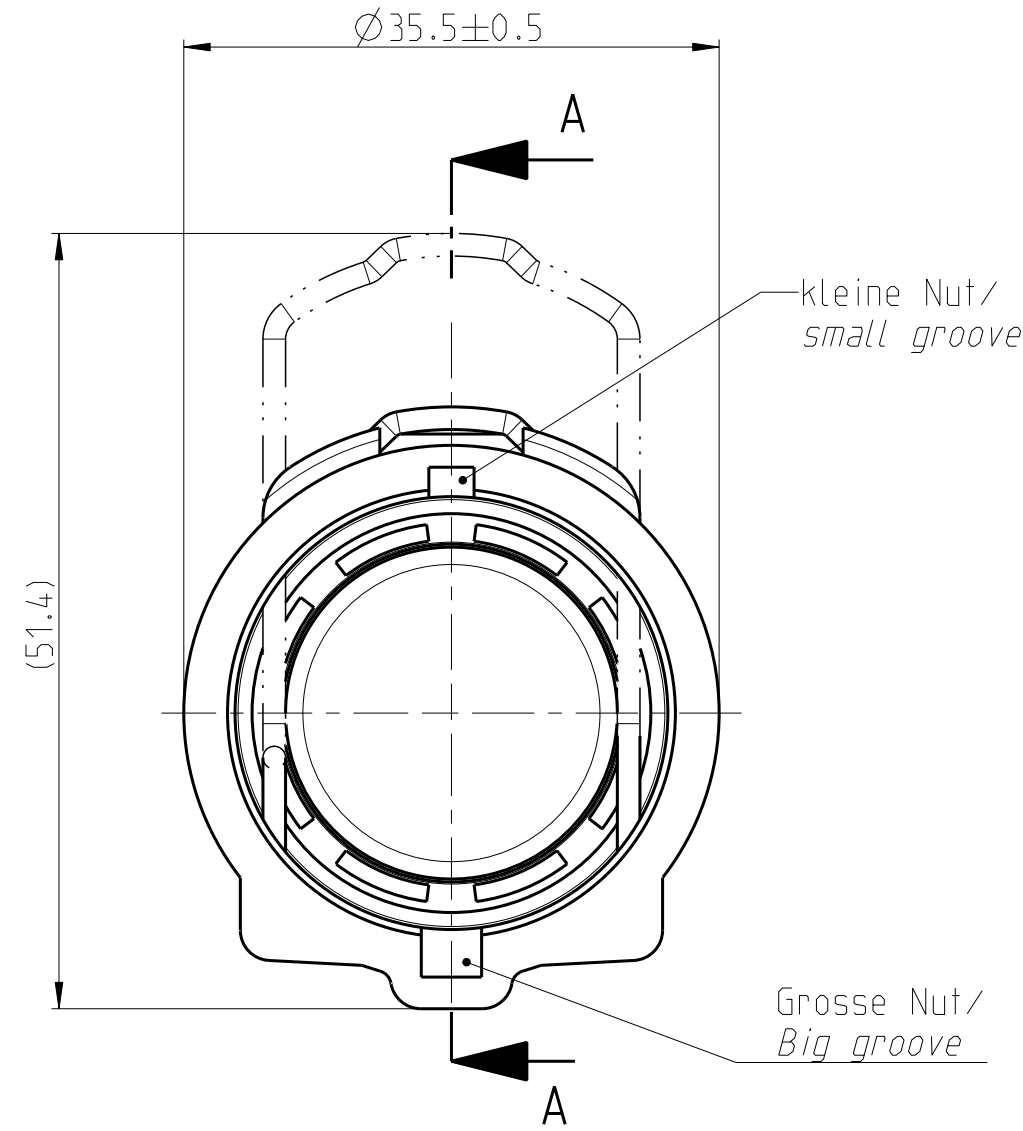
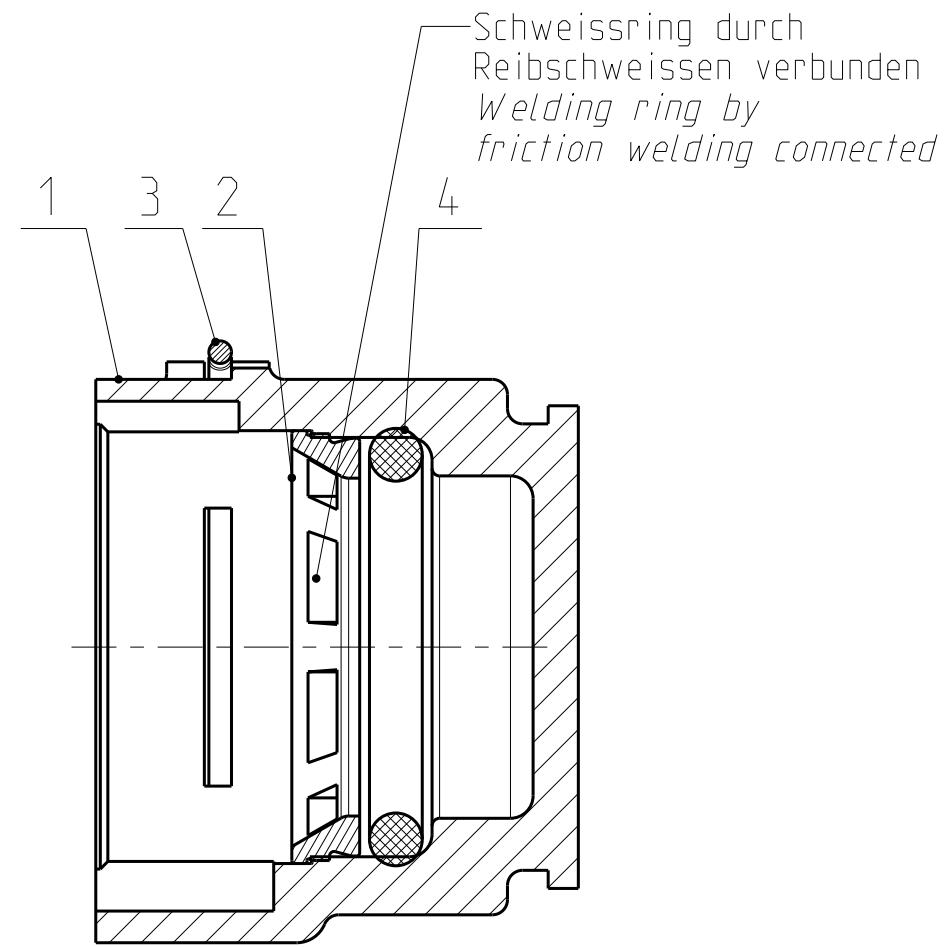


**SPECS &  
INFORMATION**

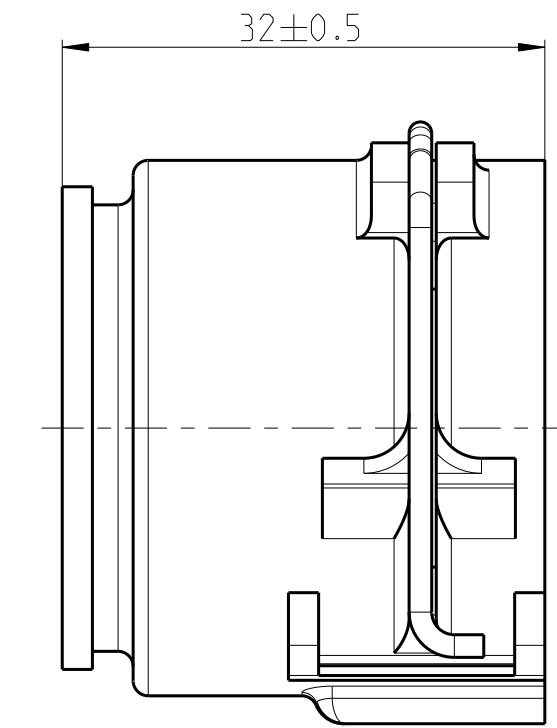
Angebotszeichnung  
QUOTATION DRAWING

| Teil-Nr.<br>ITEM-NO | Stueck<br>QTY | Benennung<br>PART - NAME | Werkstoff<br>MATERIAL   | Oberflaeche<br>SURFACE |
|---------------------|---------------|--------------------------|-------------------------|------------------------|
| 1                   | 1             | Housing NW 16            | PA66-GF30               | black                  |
| 2                   | 1             | Weld ring NW 16          | PA66-GF30               | black                  |
| 3                   | 1             | Locking bail NW 16       | EN10270-3-1.4310-NS-1.5 | black                  |
| 4                   | 1             | O-RING 22.0 X 3.5        | EPDM-70                 | black                  |

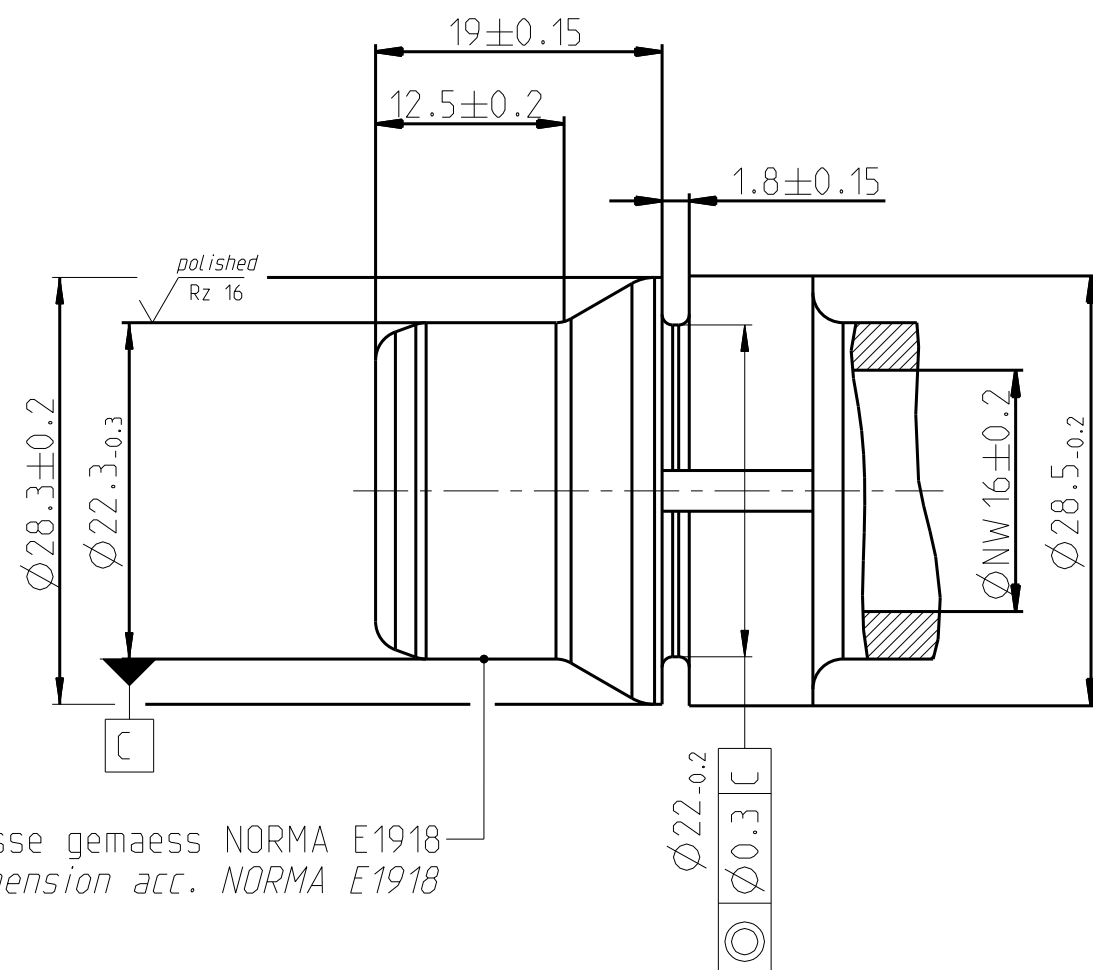
SCHNITT/SECTION A-A



MASSTAB/SCALE 1:1



Ansicht Stutzen/View spigot  
MASSTAB/SCALE 2:1



| Performance features for NQ PS3 - VDA |   |
|---------------------------------------|---|
| Medium                                | coolant water   |
| Operation temperature                 | -40°C thru 135°C, short-term up to 150°C (max. 30 min. over lifetime) |
| Operation pressure                    | 0 to 2 bar, partial pulsating (sinusoidal)                            |

| NORMAQUICK - ASSEMBLY MARKING |             |
|-------------------------------|-------------|
| Customer part-No.:            | -           |
| Trademark:                    | -           |
| Manufacturer code:            | NORMA-RSS   |
| NORMA date code:              | XX YY       |
| Material code molding part:   | -PA66-GF30- |

|   |   |   |  |   |            |         |             |
|---|---|---|--|---|------------|---------|-------------|
| - | - | - | -  | - | -          | -       | -           |
| - | C | 2 | 1) drawing type updated; 2) view updated; 3) text added; | - | 2013-01-15 | Chopade | Ries        |
| - | B | 2 | Komponenten korrigiert/components corrected              | - | 11-11-03   | Reicht  | Ries        |
| - | A | - | Drawing update for tool order                            | - | 11-10-31   | Reicht  | De Robertis |

| INDEX<br>PART   | Anz.<br>QTY. | Aenderung<br>DESCRIPTION   |  | Aend.Nr.<br>CHANGE-NO.                             | Datum<br>DATE | Bearb.<br>DRAWN   | Gepr.<br>CHECKED |
|---|--------------|--|--|--|---------------|---|------------------|
| Allgemeintoleranz:<br>GENERAL TOLERANCE:                        |              | Form- und Lagetoleranz:<br>FORM AND POS. TOL.:   |  | Abmass fuer Winkel:<br>DEVIATION FOR ANGLE:        |               | Gewicht / WEIGHT:<br>errechnet / gewogen<br>CALCULATED / actual |                  |
| -   |              | DIN ISO 2768   |  | ±2°  |               | -   |                  |
| Projektions-Methode 1<br>1st ANGLE PROJECTION<br>DIN ISO 128-30 |              | Material: see parts list<br>Material-No.: -<br>Oberflaeche: see parts list<br>SURF. QUAL.: |  | PART NAME:<br>NORMAQUICK PS3 NW 16<br>Blind plug   |               |   |                  |
| NORMA-Patentnummer:<br>PATENT NUMBER:                           |              | Massstab:<br>SCALE:<br>2:1   |  | Datum/DATE<br>2000-09-22                           |               | Name/NAME<br>Imago-Gr<br>Bahner                                 |                  |
| Bandlaenge:<br>LENGTH OF BAND:                                  |              | Schutzvermerk nach ISO 16016 beachten<br>CONSIDER AFTER PROTECTION<br>NOTICE ISO 16016     |  | Benennung:<br>NORMAQUICK PS3 NW 16<br>Blindstopfen |               |   |                  |
| ZNE:  |              | Kunde/CUSTOMER:  |  | DIN A  |               | SHEET: SHEETS   |                  |
| Ursprung/Anfrage:<br>ENQUIRY-No.:                               |              | NORMA Germany GmbH<br>Postfach 1149 • 63461 Maintal<br>© COPYRIGHT BY NORMA Group          |  | Zeichnungs-Nr./DRAWING-NO.:                        |               | INDEX<br>PART DWG TYPE  |                  |
| 9900020032-001  |              | NORMA GROUP  |  | 0702 8701 016                                      |               | 00   0C   Q   |                  |
| CAD-SYSTEM Pro/Engineer   |              | DRAWING-NAME: 07028701016_Q  |  | MODEL-NAME: 07028701016                            |               | MODEL-TYP: ASSEM  |                  |





info@iq-parts.nl  
Harsweg 34A  
2461 EZ Ter Aar  
T +31 252 624 126  
The Netherlands